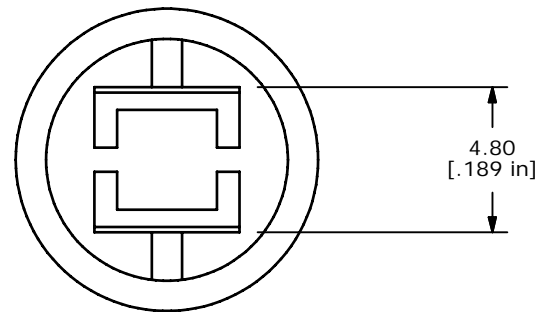
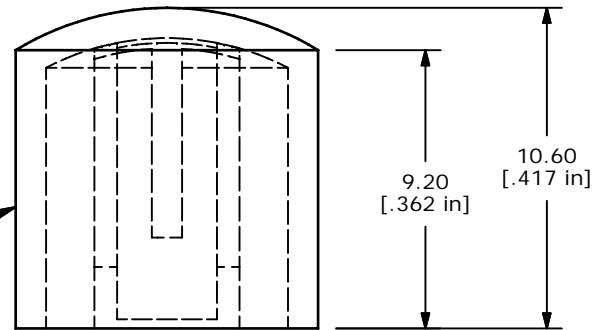


▲
EXTERNAL SURFACES
ARE TO BE FREE OF
BLEMISHES AND
VISUAL DEFECTS



- NOTES:
1. ALL DIMENSIONS IN MM [INCH]
 2. GENERAL TOLERANCE: X.XX=±0.15
 3. MATERIAL: POLYCARBONATE
 4. COLOR: TRANSPARENT
 5. ▲DENOTES CRITICAL PARAMETER.



A	18805	New-Release	1/20/10	rc
REV	PCR NO	DESCRIPTION	DATE	BY
<small>THE INFORMATION CONTAINED IN THIS DOCUMENT IS PROPRIETARY TO E-SWITCH AND IS NOT TO BE COPIED OR TRANSFERRED</small>				

TITLE R05CLR				
SCALE	DATE	DR	DWG	REV
4=1	1/19/2010	rc	B410000	A